

SUN2000-100KTL-M1 Smart String Inverter



10
MPPTs



Max. Efficiency
98.8%



String-level
Management



Smart I-V Curve
Diagnosis Supported



MBUS
Supported



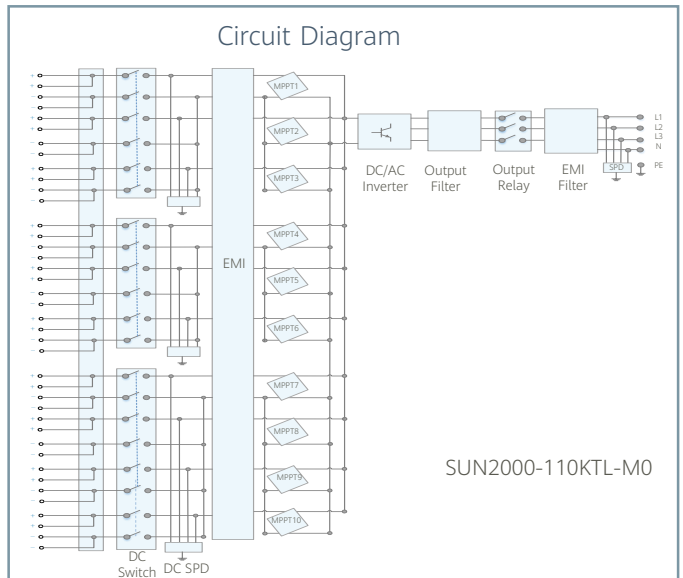
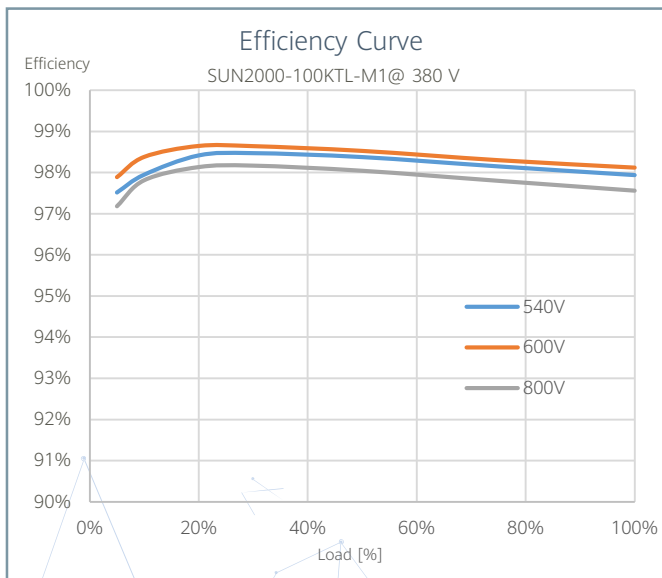
Fuse Free
Design



Surge Arresters for
DC & AC



IP66
Protection



Preliminary Version

SUN2000-100KTL-M1

Technical Specifications

Efficiency	
Max. Efficiency	98.8% @480 V; 98.6% @380 V / 400 V
European Efficiency	98.6% @480 V; 98.4% @380 V / 400 V
Input	
Max. Input Voltage	1,100 V
Max. Current per MPPT	26 A
Max. Short Circuit Current per MPPT	40 A
Start Voltage	200 V
MPPT Operating Voltage Range	200 V ~ 1,000 V
Rated Input Voltage	600 V @380 V / 400 V; 720 V @480 V
Number of Inputs	20
Number of MPP Trackers	10
Output	
Rated AC Active Power	100,000 W (380 V / 400 V / 480 V @40°C)
Max. AC Apparent Power	110,000 VA
Max. AC Active Power (cosφ=1)	110,000 W
Rated Output Voltage	220 V / 230 V, default 3W + N + PE; 380 V / 400 V / 480 V, 3W + PE
Rated AC Grid Frequency	50 Hz / 60 Hz
Rated Output Current	152.0 A @380 V; 144.4 A @400 V; 120.3 A @480 V
Max. Output Current	168.8 A @380 V; 160.4 A @400 V; 133.7 A @480 V
Adjustable Power Factor Range	0.8 LG ... 0.8 LD
Max. Total Harmonic Distortion	<3%
Protection	
Input-side Disconnection Device	Yes
Anti-islanding Protection	Yes
AC Overcurrent Protection	Yes
DC Reverse-polarity Protection	Yes
PV-array String Fault Monitoring	Yes
DC Surge Arrester	Type II
AC Surge Arrester	Type II
DC Insulation Resistance Detection	Yes
Residual Current Monitoring Unit	Yes
Communication	
Display	LED Indicators, WLAN/Bluetooth + APP
USB	Yes
RS485	Yes
Management BUS (MBUS)	Yes (isolation transformer required)
General	
Dimensions (W x H x D)	1,035 x 700 x 365mm (40.7 x 27.6x 14.4 inch)
Weight (with mounting plate)	85 kg (187.4 lb.)
Operating Temperature Range	-25°C ~ 60°C (-13°F ~ 140°F)
Cooling Method	Forced Air Cooling
Max. Operating Altitude	5,000 m (16,404 ft.); de-rating above 4,000 m (13,123 ft.)
Relative Humidity	0 ~ 100%
DC Connector	Staubli MC4
AC Connector	OT Terminal
Protection Degree	IP66
Topology	Transformerless
Standard Compliance (more available upon request)	
Certificate	TBC
Grid Code	TBC

Preliminary Version